

2000nm Polarization Insensitive 3-port Optical Circulator

FEATURES

- High Isolation
- Low Insertion Loss
- Epoxy-Free Optical Path
- High Reliability and Stability
- Low Profile Packaging

APPLICATIONS

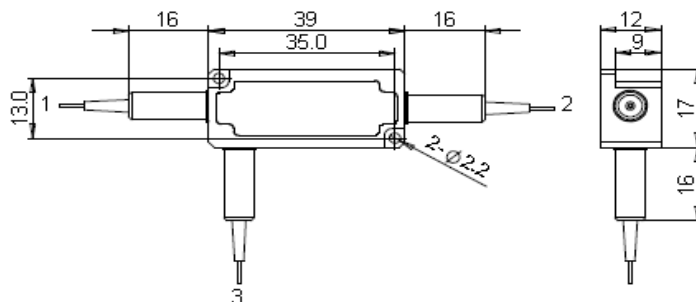
- Fiber Optic Amplifiers
- Fiber Optic Instruments
- WDM Systems
- Dispersion Compensation
- Light Routing

SPECIFICATIONS

Parameter	Unit	Value	
Center Wavelength (λ_c)	nm	2000	
Bandwidth	nm	+/-30	
Insertion Loss@23°C	(Typ.)	dB	1.3
	(Max.)	dB	1.8
Isolation@23°C	(Typ.)	dB	20
	(Min.)	dB	16
PDL	dB	≤ 0.2	
Optical Return Loss	dB	≥ 45	
Cross Talk	dB	≥ 40	
Fiber Type	-	SMF-28 Fiber or SM1950 Fiber (V) 10/130um DC Fiber (O) or 25/250um DC Fiber (R)	
Fiber Tensile Load	N	5	
Maximum Optical Power (CW)	mW	300	
Operating Temperature	°C	0~50	
Storage Temperature	°C	-40~85	

- Note:**
1. Specifications are for device without connectors; Specifications may change without notice.
 2. To add connectors, IL is 0.3dB higher, RL is 5dB lower.
 3. Devices for higher optical power or with other type fiber or consigned fiber are also available; Devices can only work in the core of Double Cladding (DC) Fiber, Cladding Power must be stripped before connecting the device.

PACKAGE DIMENSION



ORDERING INFORMATION (PN)

FCIR-	NNNN	-3	(C)	C	NN	-	CC/CC
<i>Center Wavelength</i>	<i>Fiber Type</i>	<i>Fiber Sleeve</i>	<i>Fiber Length</i>	<i>Connector Type</i>			
2000~2000nm	V=SM1950 Fiber O=10/130 DC Fiber R=25/250 DC Fiber Blank for SMF-28 Fiber	B= Bare fiber L= Loose Tube 2= 2mm Cable 3= 3mm Cable	05=0.5m 10=1.0m 15=1.5m 20=2.0m	N=Without Connector FC/APC=FC/APC Connector LC/PC=LC/PC Connector SC/UPC=SC/UPC Connector			

